

*** IMPORTANT WARNING**

THIS PRODUCT INCLUDES INSTRUCTIONS FOR INSTALLATION WHICH MUST BE CAREFULLY FOLLOWED. THE INSTRUCTIONS ARE WORDED IN SUCH A MANNER TO ASSUME THAT THE INSTALLER IS CAPABLE OF COMPLETING THESE TYPE OF ELECTRONIC INSTALLATIONS. IF YOU ARE UNCLEAR AS TO WHAT YOU ARE INSTRUCTED TO DO OR BELIEVE THAT YOU DO NOT UNDERSTAND THE INSTRUCTIONS SO AS TO PROPERLY AND SAFELY COMPLETE THE INSTALLATION YOU SHOULD CONSULT A TECHNICIAN WHO DOES HAVE THIS KNOWLEDGE AND UNDERSTANDING. **FAILURE TO FOLLOW THESE INSTRUCTIONS CAREFULLY AND TO INSTALL THE INTERFACE AS DESCRIBED COULD CAUSE HARM TO THE VEHICLE OR TO SAFETY SYSTEMS ON THE VEHICLE. INTERFERENCE WITH CERTAIN SAFETY SYSTEMS COULD CAUSE HARM TO PERSONS AS WELL. IF YOU HAVE ANY QUESTIONS IN THIS REGARD PLEASE CALL THE HELP LINE OR THE METRA AT 1-800-221-0932 FOR ASSISTANCE.**

**GMRC-02
INSTALLATION
INSTRUCTIONS**

*** Retains the factory door chime and supplies a 12V switched voltage for audio operation.**

*** READ IMPORTANT WARNING ON PAGE 1 BEFORE ATTEMPTING ANY INSTALLATION**

(Not compatible with BOSE or MONSOON systems)

APPLICATIONS

BUICK

- ALLURE 2005-09
- CENTURY 2004-05
- LACROSSE 2005-09
- RAINIER 2004-07
- RENDEZVOUS 2002-07
- TERRAZA 2005-08

CHEVROLET

- AVALANCHE 2003-06
- CAVALIER 2000-05
- COLORADO 2004-10
- EXPRESS 2003-07
- IMPALA 2000-05
- MALIBU 2001-03
- MALIBU CLASSIC 2004-05
- MONTE CARLO 2000-05
- SILVERADO PICKUP CLASSIC 2007
- SILVERADO PICKUP (All Models) 2003-06

GMC

- SSR 2003-06
- SUBURBAN 2003-06
- TAHOE 2003-2006
- TRAILBLAZER 2002-09
- UPLANDER 2005-08
- VENTURE VAN 2000-05
- CANYON 2004-10
- ENVOY 2002-09
- SAVANNA FULL SIZE VAN 2003-07
- SIERRA CLASSIC 2007
- SIERRA 2003-2006
- YUKON/ YUKON XL 2003-06

HUMMER

- H3 2006-09

ISUZU

- ASCENDER 2003-08

- I SERIES PICKUPS 2006-08

OLDSMOBILE

- ALERO 2001-04
- BRAVADA 2002-05
- INTRIGUE 2002
- SILHOUETTE 2000-04

PONTIAC

- AZTEC 2001-05
- * GRAND AM 2001-05
- GRAND PRIX 2004-08
- MONTANA SV6 (CANADA) 2005-08
- MONTANA 2000-05
- SUNFIRE 2000-05

SAAB

- 9-7X 2005-09

SATURN

- RELAY 2005-07

INTERFACE COMPONENTS

- GMRC-02 Data Interface
- 10 pin to 24 pin GM harness w/ stripped leads



GMRC-02

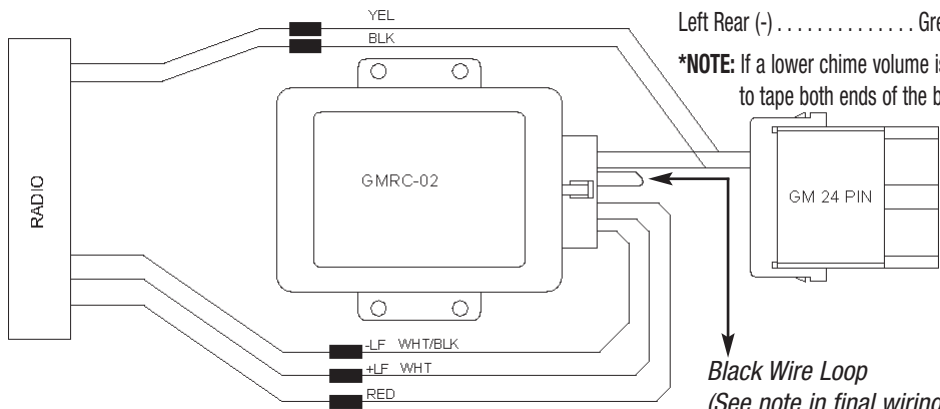
TOOLS REQUIRED FOR INSTALLATION

- Cutting Tool • Tape • Crimping Tool
- Connectors (ie: butt-connectors, bell caps, etc.)

INSTALLING THE INTERFACE

*** IMPORTANT:** Before beginning any of the following, disconnect the negative battery terminal to prevent an accidental short circuit.

**** Note:** The ignition power source of every GM vehicle keeps the radio on until the front driver door is opened. The GMRC-02 is designed to retain this feature.



2

FINAL WIRING CONNECTIONS

Make wiring connections using the EIA color code chart shown below and the instructions included with the head unit. Metra recommends making connections as shown below; Strip, Splice, Solder, Tape. Isolate and individually tape off ends of any unused wires to prevent electrical short circuit.

METRA / EIA WIRING CODE

12V Ignition / Acc.	Red
12V Batt / Memory	Yellow
Ground	Black*
Power Antenna	Blue
Amp Turn-On	Blue / White
Amp Ground	Black / White
Illumination	Orange
Dimmer	Orange / White
Right Front (+)	Gray
Right Front (-)	Gray / Black
Left Front (+)	White
Left Front (-)	White / Black
Right Rear (+)	Violet
Right Rear (-)	Violet / Black
Left Rear (+)	Green
Left Rear (-)	Green / Black

***NOTE:** If a lower chime volume is desired, cut black wire loop on the 10-way connector plugged into the GMRC-02. Be sure to tape both ends of the black wire loop.

Black Wire Loop
(See note in final wiring connections - pg.3)

3

